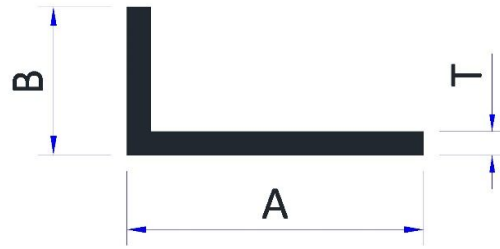


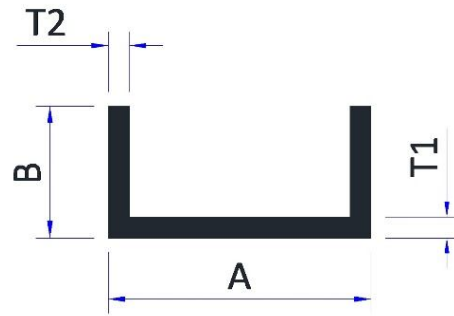
Section No	Dimension		Weight Kg/m
	A mm	T mm	
010009	15	1.3	0.101
010056	15	1.5	0.116
010011	20	1.0	0.105
010020	20	1.4	0.150
010021	20	1.5	0.156
010050	20	1.6	0.166
010022	20	2.0	0.205
010053	20	3.0	0.300
*010023	25	1.2	0.158
*010024	25	1.4	0.184
010018	25	1.5	0.196
010051	25	1.6	0.209
010025	25	2.0	0.260
*010061	25	2.5	0.321
010052	25	3.0	0.381
*010026	29	2.0	0.302
*010027	20	1.5	0.240
010010	30	1.0	0.159
010059	30	1.5	0.237
010028	30	2.0	0.313
*010029	30	2.5	0.384
*010030	30	2.8	0.432
010031	30	3.0	0.462
*010032	30	4.0	0.605
*010033	30	5.0	0.742
010057	32	1.6	0.269
*010058	35	2.0	0.367
*010034	35	3.0	0.543
*010035	38	3.3	0.648
010007	38	3.5	0.685
010063	38.1	3.18	0.627

Section No	Dimension		Weight Kg/m
	A mm	T mm	
*010036	40	1.3	0.276
010014	40	1.5	0.318
010016	40	1.6	0.339
010037	40	2.0	0.421
*010038	40	2.2	0.462
*010039	40	2.5	0.523
010040	40	2.8	0.584
010001	40	3.0	0.623
*010041	40	3.5	0.723
010042	40	3.7	0.762
010005	40	4.0	0.820
*010062	40	5.0	1.013
*010043	40	5.5	1.106
010015	50	1.5	0.399
010008	50	2.0	0.529
010013	50	3.0	0.785
010004	50	4.0	1.036
010002	50	5.0	1.283
010012	50	6	1.522
010019	50.8	3.2	0.843
*010044	51	5.5	1.433
010017	60	5.0	1.552
010045	75	3.0	1.191
010046	75	4.7	1.841
*010047	76	4.8	1.907
010060	80	6.0	2.495
*010048	90	3.0	1.434
010049	100	3.0	1.596
010054	100	6.0	3.143
010055	100	10.0	5.130



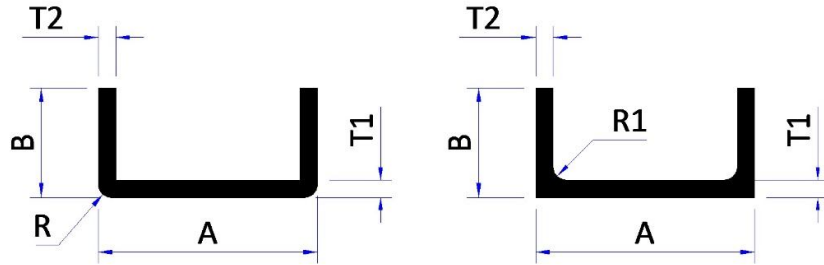
Section No	Dimension		Thk T mm	Weight Kg/m
	A mm	B mm		
020003	18	8	1.2	0.080
020037	20	10	1.4	0.108
020065	20	15	2.0	0.178
*020005	22	8	3.0	0.219
020049	25	12	1.6	0.153
020038	25	20	1.4	0.165
020039	25	20	2.5	0.287
020063	29	20	1.6	0.205
*020006	30	13	3.0	0.324
020051	30	15	1.3	0.153
*020007	30	15	3.0	0.340
*020008	30	17	2.0	0.243
*020009	30	20	1.5	0.196
020010	30	20	2.0	0.259
*020056	30	25	3.0	0.421
020011	30	25	4.0	0.551
020035	32	20	1.5	0.205
020048	32	25	3.0	0.437
*020012	38	33	2.8	0.516
*020013	38	34	3.2	0.594
020036	40	20	1.5	0.237
020014	40	20	2.0	0.313
020040	40	25	1.5	0.257
*020057	40	25	2.5	0.422
*020015	40	35	3.0	0.583
*020016	47	15	1.5	0.245
020044	50	20	2.0	0.367
020055	50	25	1.5	0.298
*020058	50	25	2.0	0.394
020017	50	25	3.0	0.583
*020059	50	35	2.5	0.557
020064	50.8	25.4	3.2	0.627

Section No	Dimension		Thk T mm	Weight Kg/m
	A mm	B mm		
*020018	53	20	3.0	0.567
*020019	55	28	2.0	0.437
*020060	60	30	2.0	0.475
*020020	68	29	2.0	0.512
020050	70	25	1.6	0.403
*020021	70	25	2.0	0.502
020001	70	40	1.5	0.439
020034	70	40	1.6	0.468
*020061	75	25	2.5	0.658
*020022	75	50	2.0	0.664
020045	75	50	3.0	0.988
020046	75	50	4.0	1.307
020002	76	34	1.5	0.439
*020023	76.2	25.4	3.0	0.799
*020024	78.5	12.5	2.0	0.479
*020025	90	30	5.0	1.553
020004	90	40	1.5	0.520
*020026	100	40	2.0	0.745
*020027	100	40	3.0	1.109
020042	100	50	3.0	1.191
020053	100	50	5.0	1.958
020052	100	50	6.0	2.332
020047	100	80	8.0	3.715
*020029	101.6	10	1.5	0.446
020033	115	40	2.0	0.826
*020062	125	75	3.0	1.596
020030	135	20	2.0	0.826
*020031	150	25	3.0	1.393
020032	150	50	3.0	1.596
020054	150	50	4.0	2.117
020041	200	50	3.0	2.001

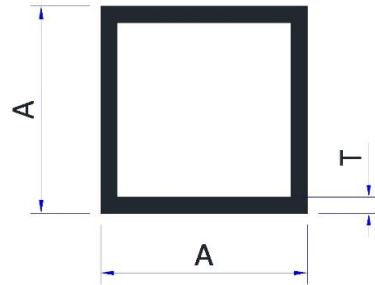


Section No	Dimension		Thickness		Weight Kg/m
	A mm	B mm	T1 mm	T2 mm	
030040	17	17	1.5	1.5	0.194
*030005	18	40	4.0	4.0	0.972
*030006	20	12	2.0	2.0	0.216
*030049	20	20	1.5	1.5	0.231
030079	20	20	1.6	1.6	0.245
*030007	20	20	2.0	2.0	0.302
*030050	20	30	2.0	2.0	0.410
*030066	20	35	1.8	1.8	0.420
*030008	23	21.5	1.5	1.5	0.255
030038	25	25	3.0	3.0	0.559
030041	25	40	3.0	3.0	0.802
*030009	25	38	2.0	2.0	0.524
*030051	30	10	2.0	2.0	0.248
*030010	30	15	2.0	2.0	0.302
*030052	30	30	2.0	2.0	0.464
*030011	30	50	10.0	5.0	1.890
*030012	33	21	1.5	1.5	0.292
*030013	34	20	1.5	1.5	0.288
*030014	34	75	4.0	4.0	1.900
*030053	35	20	1.8	1.8	0.347
*030067	35	35	1.8	1.8	0.493
*030068	35	35	2.2	2.2	0.598
*030015	36	12	2.0	2.0	0.302
*030016	38	25	3.0	3.0	0.665
*030017	40	20	1.8	1.8	0.371
*030054	40	20	2.2	2.2	0.449
*030069	40	30	2.2	2.2	0.568
*030018	40	40	2.5	2.5	0.776
*030055	40	40	3.0	3.0	0.923
*030019	44	20	2.0	2.0	0.432
*030056	45	20	1.5	1.5	0.332

Section No	Dimension		Thickness		Weight Kg/m
	A mm	B mm	T1 mm	T2 mm	
*030057	45	25	2.0	2.0	0.491
*030020	45	60	2.0	2.0	0.870
*030058	50	15	1.6	1.6	0.332
*030059	50	25	1.6	1.6	0.418
*030021	50	25	2.0	2.0	0.518
*030070	50	35	2.0	2.0	0.626
*030060	50	38	1.6	1.6	0.530
*030061	50	40	2.0	2.0	0.680
030022	50	50	3.0	3.0	1.166
030039	53.3	25	1.2	1.2	0.326
*030023	55	20	1.8	1.8	0.444
*030062	55	35	3.0	3.0	0.964
*030063	55	35	4.0	4.0	1.264
*030024	56	20	2.5	2.5	0.614
*030025	56	30	2.5	2.5	0.749
*030064	60	20	2.5	2.5	0.641
*030026	60	20	4.0	4.0	0.994
*030065	60	30	2.0	2.0	0.626
*030027	60	30	3.0	3.0	0.923
*030028	66	30	3.0	3.0	0.975
*030029	80	40	2.0	2.0	0.842
030036	91.6	24.8	2.2	1.3	0.709
*030030	100	40	4.0	4.0	1.858
*030031	100	45	5.0	5.0	2.430
*030071	100	50	4.0	4.0	2.074
*030032	102	50	3.0	3.0	1.588
*030033	110	20	2.0	2.0	0.789
*030072	120	40	4.0	4.0	2.074
*030073	120	55	5.0	5.0	2.970
*030074	150	75	8.0	6.0	5.411

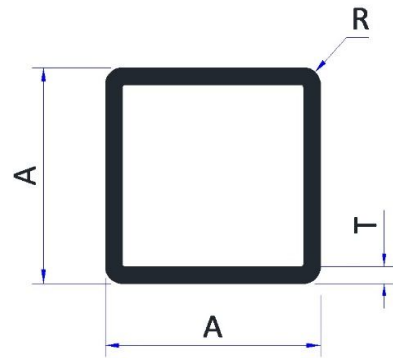


Section No	Dimension		Thickness		Radius		Weight Kg/m
	A mm	B mm	T1 mm	T2 mm	R mm	R1 mm	
030035	25	25	5.0	5.0	10.0		0.791
030042	30	18.5	1.8	1.8	1.8		0.304
030001	41.5	22.5	3.0	3.0	3.0		0.651
030002	60	32	3.0	3.0	3.0		0.955
030075	76.2	38.1	4.78	6.35		7.9	2.198
030047	90	50	3.0	3.0	2.0		1.490
030048	93	24	3.0	3.0	4.0		1.076
030076	101.6	50.8	6.35	7.94		9.5	3.753
030034	146.5	80	5.5	5.5	12.0		4.268
030077	152.4	50.8	7.14	9.53		11.1	5.327
030045	156.6	39.8	2.8	2.8	3.3		1.730
030037	168	25	2.7	1.7	1.0		1.428
030004	250	70	6.0	6.0	10.0		6.025
030078	254	76.2	7.14	11.1		12.7	9.223
030003	254	115	12.5	12.5	18.5		15.127

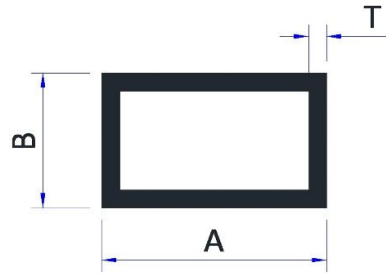


Section No	Dimension		Weight Kg/m
	A mm	T mm	
050075	15.85	1.2	0.190
050051	16	2.00	0.302
050064	19.05	1.6	0.298
050048	20	1.3	0.253
050050	20	2.0	0.389
050055	20	3.0	0.551
050043	25	1.2	0.308
050071	25	1.8	0.451
050056	25	2.0	0.497
050052	25	3.0	0.713
050062	25.4	1.2	0.314
050045	25.8	1.2	0.319
050007	30	1.0	0.313
050020	30	1.50	0.462
050021	30	2	0.605
050022	30	3.0	0.874
050059	35	1.7	0.611
050061	38.1	3.2	1.198
050004	40	0.9	0.380
*050023	40	1.2	0.503
050024	40	1.4	0.584
050025	40	1.8	0.743
050053	40	3.0	1.199
050072	40	4.0	1.555
050041	40	5.0	1.890
*050026	45	2.0	0.929
050027	45	3.0	1.361
050006	50	1.1	0.580
050028	50	1.4	0.735
050047	50	1.6	0.836

Section No	Dimension		Weight Kg/m
	A mm	T mm	
050049	50	2.0	1.037
*050029	50	2.2	1.136
050069	50	2.5	1.283
050046	50	3.0	1.523
050040	50	4.0	1.987
050057	50	5.00	2.430
050063	50.8	2.4	1.261
050076	50.8	3.2	1.635
050073	50.8	3.2	1.645
*050030	54	2.5	1.390
050058	60	2.0	1.253
050003	60	3.0	1.847
050031	60	4.0	2.419
050088	60	5.0	2.970
050082	63.5	3.2	2.072
*050032	75	1.70	1.346
*050033	75	3.2	2.481
050074	76.2	3.0	2.372
050083	76.2	3.2	2.508
050002	80	2.0	1.685
050035	80	3.0	2.495
050005	100	1.4	1.490
050037	100	2.00	2.117
050038	100	3.00	3.143
050070	100	4.0	4.147
050085	101.6	3.2	3.38
050087	152.4	6.4	10.016
*050067	145	9.5	13.902
050039	150	3.0	4.763
050001	180	3.0	5.735

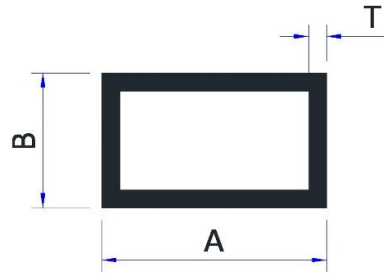


Section No	Dimension		Radius R mm	Weight Kg/m
	A mm	T mm		
050014	15	1.6	1.6	0.227
050066	19.05	1.5	2.0	0.276
050016	19.05	1.6	1.6	0.293
050015	25	3.00	3.0	0.712
050065	25.4	3.18	6.3	0.693
050054	25.4	3.3	5.0	0.729
050089	31.75	3.05	6.35	0.877
050078	38.1	3.05	7.9	1.064
050079	38.1	4.8	4.8	1.667
050008	40	2.0	3.0	0.820
050009	40	3.0	3.0	1.180
050010	50	1.8	6.0	0.890
050011	50	2.0	6.0	0.990
050012	50	3.0	6.0	1.460
050017	50	5.00	6.0	2.348
050080	50.8	3.1	9.5	1.460
050068	50.8	3.20	3.2	1.624
050081	50.8	4.8	10.2	2.201
050042	65	2.5	2.0	1.679
050018	65	3.0	6.0	1.946
050013	76.2	3.00	6.0	2.309
050084	76.2	4.8	4.8	3.685
050019	80	2.0	10	1.601
*050034	80	2.5	2.0	2.085
*050036	80	4.0	2.0	3.276
050044	90	2.0	4.0	1.873
050077	101.6	4.8	4.8	4.998



Section No	Dimension		Thk T mm	Weight Kg/m
	A mm	B mm		
051130	20	10	1.4	0.206
051019	20	15	1.5	0.259
051112	30	20	1.2	0.308
051131	30	20	1.8	0.451
*051020	30	20	3.0	0.713
051002	40	20	1.1	0.345
051021	40	20	1.4	0.433
051022	40	20	1.8	0.548
*051024	40	20	2.5	0.743
051109	40	20	3.0	0.875
*051121	40	25	2.0	0.659
*051025	40	26	3.2	1.030
*051026	46	20	2.5	0.824
051098	50	15	1.5	0.502
051100	50	20	1.3	0.473
051093	50	20	1.8	0.645
051027	50	20	3.0	1.036
*051119	50	20	4	1.339
051028	50	25	1.4	0.546
051008	50	25	1.6	0.620
051094	50	25	2.0	0.767
051029	50	25	2.5	0.945
051129	50	25	3.0	1.118
*051118	50	25	4.0	1.447
051128	50	30	1.5	0.624
*051117	50	30	4.0	1.555
*051120	50	38	2.2	0.993
051014	55	13	2.0	0.691
051096	60	20	1.5	0.624
*051030	60	30	1.4	0.660
051097	60	30	1.8	0.840
051031	60	30	3.0	1.360

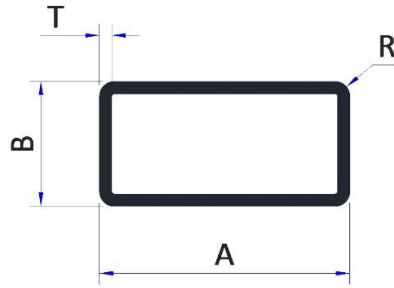
Section No	Dimension		Thk T mm	Weight Kg/m
	A mm	B mm		
*051032	60	40	1.6	0.836
051033	60	40	2.0	1.037
*051034	64	25	1.7	0.786
*051035	64	38	1.7	0.905
*051035	64	38	1.7	0.905
*051036	70	25	1.40	0.698
*051037	75	50	1.6	1.052
051111	75	25	4.0	1.987
*051122	75	38	1.8	1.063
051125	76.2	50.8	3.2	2.072
051038	80	20	1.6	0.836
051103	80	20	2.0	1.036
*051039	80	25	2.0	1.091
051004	80	40	1.0	0.637
051110	80	40	1.8	1.131
*051040	80	40	1.2	0.762
051013	80	40	1.5	0.948
*051041	80	40	2.0	1.253
051042	80	40	3.0	1.847
*051043	80	40	3.2	1.963
*051044	80	50	1.6	1.096
051045	80	50	2.0	1.361
*051046	85	50	2.7	1.882
*051047	90	40	2.0	1.361
*051049	94	55	3.0	2.315
*051050	95	25	1.7	1.07
051003	100	20	1.2	0.762
051051	100	20	2.0	1.253
*051115	100	25	4.0	2.527
051015	100	30	2.0	1.361
051052	100	30	2.5	1.688
051005	100	40	1.10	0.818



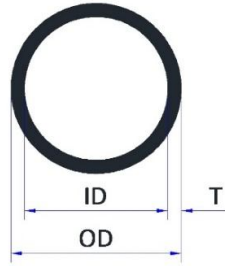
Section No	Dimension		Thk T mm	Weight Kg/m
	A mm	B mm		
*051053	100	40	1.5	1.110
051054	100	40	2.0	1.469
051055	100	40	3.0	2.171
*051056	100	45	1.8	1.374
051057	100	45	2.5	1.890
051059	100	50	1.6	1.268
051060	100	50	2.0	1.577
051061	100	50	2.5	1.958
051017	100	50	3.0	2.333
*051116	100	50	4.0	3.067
051108	100	60	4.0	3.283
051064	100	80	3.0	2.818
*051065	110	65	3.0	2.738
*051066	115	100	3.5	3.931
051104	120	20	1.4	1.037
*051067	120	20	1.5	1.110
*051068	120	20	3.0	2.170
*051102	120	40	1.4	1.189
*051069	120	40	1.7	1.438
051070	120	40	2	1.685
051071	120	50	3.0	2.657
051107	120	50	4.0	3.499
051072	120	60	3	2.819
*051073	125	85	2.0	2.224
*051074	140	40	2.0	1.901
*051075	140	50	2.0	2.010
051076	150	20	2.0	1.793
051077	150	50	2.0	2.116
051016	150	50	2.5	2.633
051132	100	50	2.8	2.183

Section No	Dimension		Thk T mm	Weight Kg/m
	A mm	B mm		
051078	150	50	3.0	3.143
051079	150	75	3.0	3.548
051080	150	75	5.0	5.804
051081	150	100	3.0	3.953
051105	150	100	3.2	4.209
051018	150	100	4.0	5.227
051127	152.4	50.8	3.2	3.380
051092	152.75	44	2.8	2.890
*051082	195	40	3.0	3.710
051006	200	50	2.0	2.657
051083	200	50	3.0	3.953
051084	200	80	3.0	4.438
*051085	200	150	3.0	5.572
051089	250	50	3.0	4.763
*051086	250	75	3.0	5.167
051090	250	150	6.0	12.571
*051123	280	150	4.0	9.115
051087	300	100	3.0	6.383
*051124	350	100	6.0	14.191



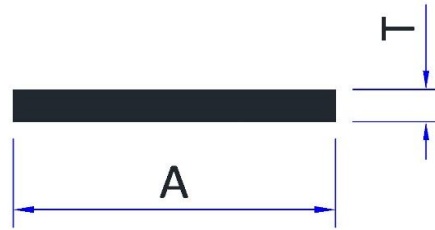


Section No	Dimension		Thk T mm	Radius R mm	Weight Kg/m
	A mm	B mm			
051010	38	25	1.5	3.0	0.470
051101	38	25	2.5	2.0	0.774
*051023	40	20	2.0	2.0	0.596
051012	50	25	1.60	3.0	0.604
051095	50.8	25.4	3.3	5.0	1.174
051099	65	16	1.2	3.0	0.496
051009	65	16	1.4	3.00	0.576
051001	70	40	3.0	3	1.666
051048	90	53	4.0	2.00	2.907
*051058	100	45	3.5	1.0	2.609
051011	100	50	3.0	6.0	2.270
*051062	100	50	3.45	0.8	2.666
*051063	100	60	4.0	1.25	3.283
051106	120	100	4.0	1.0	4.579
051126	152.4	101.6	6.35	6.35	8.181
051007	200	100	3.0	1.0	4.763



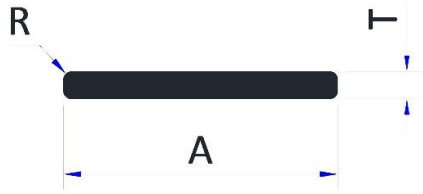
Section No	Dimension		Thk T mm	Weight Kg/m
	OD mm	ID mm		
060058	15	12.6	1.2	0.140
060012	15.88	13.48	1.2	0.149
060017	16	12.8	1.6	0.195
060074	16	10	3.0	0.331
060013	19	16.56	1.22	0.184
060078	19	13	3.0	0.407
060072	19	9.5	4.8	0.574
060061	20	16	2.0	0.305
*060020	22	19	1.5	0.265
060073	25	21.8	1.6	0.317
060021	25	21	2.0	0.390
060019	25	19	3.0	0.560
*060022	25	17	4.0	0.713
*060023	28	25.4	1.3	0.294
*060024	28.4	24.4	2.0	0.447
*060025	30	27.2	1.4	0.340
*060026	30	26.4	1.8	0.431
060062	30	26	2.0	0.475
*060027	30	25	2.5	0.583
060063	30	24	3.0	0.687
060064	32	26	3.0	0.738
*060028	33	28	2.5	0.647
*060029	33	27	3.0	0.763
*060030	35	29	3.0	0.814
060031	38	34	2.0	0.611
060018	40	36.8	1.6	0.521
060065	40	36	2.0	0.645
060032	40	34	3.0	0.942
060066	40	32	4.0	1.221
060076	42.2	35	3.6	1.179
060055	46.4	40.4	3.0	1.112
060054	47.6	41.6	3.0	1.134
060071	48.3	40.9	3.7	1.393

Section No	Dimension		Thk T mm	Weight Kg/m
	OD mm	ID mm		
060070	48.8	43.2	2.8	1.093
060068	49.8	45.8	2.0	0.811
060059	50	46	2.0	0.814
*060033	50	45	2.5	1.011
060034	50	44	3.0	1.196
060067	50	42	4.0	1.561
060057	50.8	47.55	1.6	0.677
*060035	60	56	2.0	0.984
060036	60	54	3.0	1.460
060037	60	52	4.0	1.900
060056	60	50	5.0	2.333
*060038	63	58	2.5	1.283
*060039	70	65	2.5	1.431
060040	75	69	3	1.832
*060041	75	65	5.0	2.969
060014	76.2	69.7	3.3	2.010
060015	76.2	66.7	4.8	2.879
*060042	80	74	3.0	1.959
*060043	80	70	5.0	3.181
*060044	96	90	3.0	2.367
*060045	98	93	2.5	2.025
060046	100	94	3.0	2.468
060047	100	90	5.0	4.029
060016	101	88.2	6.4	5.136
*060048	105	100	2.5	2.174
060077	111	102	4.5	4.065
*060049	110	100	5.0	4.453
*060050	115	110	2.5	2.385
*060051	130	120	5.0	5.301
060075	150	144	3.0	3.741
*060052	168	160	4.0	5.564
*060053	200	192	4.0	6.650

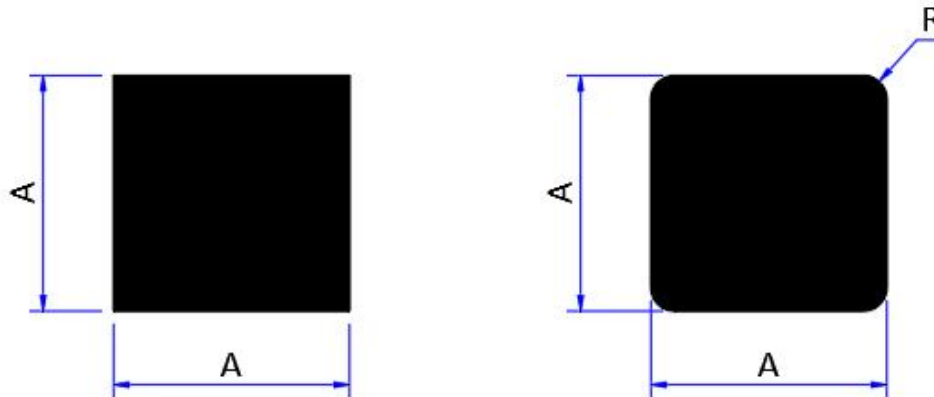


Section No	Dimension		Weight Kg/m
	A mm	Tmm	
070002	16	3.0	0.130
070071	20	2.0	0.108
070045	20	3.0	0.162
*070010	20	5.0	0.271
*070011	20	8.0	0.432
070012	20	10.0	0.539
070008	22	2.0	0.119
*070013	27	4.0	0.292
070014	30	3.0	0.243
*070015	30	20.0	1.620
*070016	32	2.0	0.173
*070017	32	5.0	0.432
*070018	34	5	0.458
*070019	40	2.0	0.216
070005	40	3.0	0.324
070020	40	4.0	0.432
070021	40	6.0	0.648
070070	40	8.0	0.864
070009	43	23.0	2.670
*070022	45	3.0	0.364
070058	50	3.0	0.405
070023	50	4.0	0.540
070024	50	6.0	0.810
070051	50	10.0	1.350
070043	50	20.0	2.700
070025	60	3.0	0.486
*070062	60	4.0	0.648
070026	60	5.0	0.810
070046	63.5	6.4	1.089
*070027	75	4.0	0.810
*070063	75	5.0	1.013

Section No	Dimension		Weight Kg/m
	A mm	Tmm	
070061	75	6.0	1.215
070044	75	10.0	2.025
070049	76.2	6.4	1.307
070057	80	1.6	0.346
070060	80	3.0	0.648
*070064	80	4.0	0.864
070004	100	1.6	0.431
070028	100	3.0	0.810
*070065	100	5.0	1.350
070029	100	6	1.620
070030	100	8.0	2.159
070052	100	10.0	2.700
070007	100	20.0	5.400
070048	101.6	6.4	1.742
*070031	110	5.0	1.485
*070032	115	6.0	1.862
*070066	120	5.0	1.620
*070033	120	10	3.240
070053	127	9.5	3.266
*070067	130	8.0	2.808
*070068	140	6.0	2.268
070034	150	6.0	2.428
070041	165	20.0	8.910
*070036	170	6.0	2.753
070042	180	10.0	4.860
*070037	200	5.0	2.700
*070038	200	6.0	3.240
070050	203.2	6.4	3.484
*070056	240	10.0	6.480
*070040	300	20.0	16.200
070003	300	30.0	24.299



Section No	Dimension		Radius R mm	Weight Kg/m
	A mm	T mm		
070035	150	8.0	1.0	3.238
070006	150	10.0	1.0	4.047
070047	150	11.0	1.0	4.453
070069	200	6.0	3.0	3.219
*070039	200	15.0	1.0	8.098
070001	200	20.0	2.0	10.791



Section No	Dimension A mm	Weight Kg/m
071001	12	0.389
071002	15	0.607
*071003	20	1.080
*071005	25	1.688
*071011	35	3.308
*071012	40	4.320
*071008	50.8	6.967
*071013	55	8.168
*071014	60	9.720
*071015	65	11.408

Section No	Dim A mm	Radius R mm	Weight Kg/m
*071004	20	2	1.071
*071005	25	2	1.678
*071006	28.2	3	2.150
071010	30	1	2.428
*071017	38	3	3.878
*071007	45	2	5.458
*071016	50	5	6.692
*071018	55	3	8.147
*071019	60	4	9.683
*071009	70	6	13.168



Section No	Dia mm	Weight Kg/m
570004	10	0.212
570005	12	0.305
570018	17.5	0.649
570006	20	0.848
570024	25	1.325
570007	30	1.909
570011	32	2.171
570012	36	2.748
570021	38.1	3.078
570014	40	3.392
570008	45	4.294
570009	50	5.301
570002	60	7.634
570017	63.5	8.550
570023	70	10.390
570003	80	13.572
570001	90	17.177